

# COMBINATION PAPER/WASTE WP511



298 x 645 x 164 mm

250 paper towels, 11 l waste bin

- Combination consisting of a paper towel dispenser and a waste bin in robust, germ-reducing and easy-care stainless steel (AISI 304).
- All-stainless steel housing; all corners fully welded, visible surfaces satin finished and brushed. Further available surfaces: see below.
- Paper towel dispenser with deep-drawn paper removal opening for easy paper removal.
- Designed for approx. 250 standard paper towels in zigzag- or c-fold.  
Paper size (folded): 240-250 mm x 100-115 mm. Accessible for refilling through lockable front flap.
- Waste bin equipped with removable mesh basket. Capacity approx. 11 l. Accessible through lockable door with self-closing, flame-retardant disposal flap.
- Keyed alike cylinder locks in corrosion-resistant zinc die-casting.
- Wear parts can be replaced as modules.
- Mounting: With four screws through key holes and one optional anti-theft hole in the back wall off-floor below vanity unit, or as an option with console or base for a surcharge.
- Delivery includes fixing material and one pack of paper towels.
- Weight, including single package: 8.5 kg

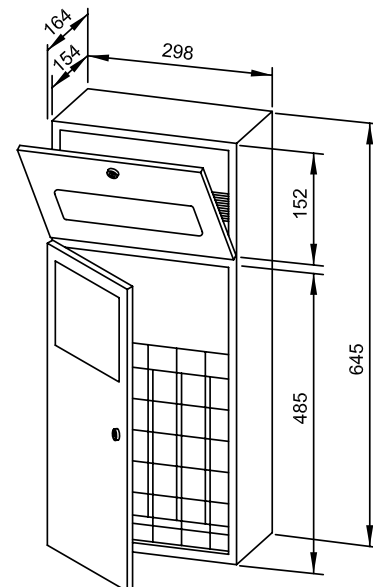


## Suggested text for specifications:

Combination consisting of a paper towel dispenser and a waste bin in stainless steel (AISI 304) for under-counter mounting. All-stainless steel housing; all corners fully welded, visible surfaces satin finished and brushed. Paper towel dispenser with deep-drawn paper removal opening, filling quantity approx. 250 paper towels. Accessible for refilling through lockable front flap. Waste bin equipped with removable mesh basket. Capacity approx. 11 l. Accessible through lockable door with self-closing, flame-retardant disposal flap. Keyed alike cylinder locks in corrosion-resistant zinc die-casting. Delivery includes fixing material and one pack of paper towels.

Dimensions: 298 x 645 x 164 mm

Article No. WP511



Options	ID No.
Base (please specify dimensions)	735 630
Console (please specify dimensions)	727 652

Available surfaces	ID No.
satin finished (standard)	728 050
highly polished	732 050
(coloured) plastic powder-coating	728 137

## Ernst Wagner GmbH & Co. KG

Ernst-Abbe-Straße 21 · D-72770 Reutlingen · Tel.: +49712151539-0 · Fax: -20  
info@wagner-ewar.de · www.wagner-ewar.de

**WAGNER**  
**EWAR**